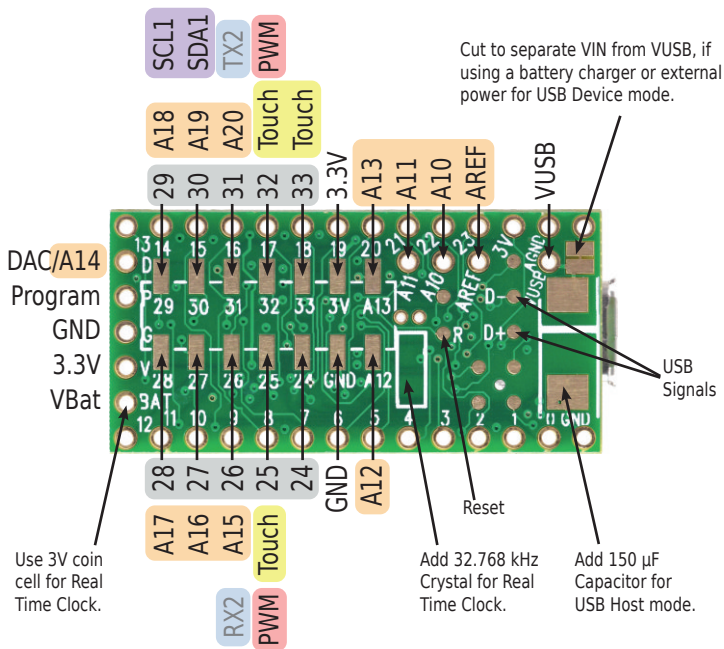


Teensy 3.1 Back Side

Additional pins and features available on the back side



For solutions to the most common issues and technical support, please visit:

www.pjrc.com/help

Teensy 3.1 System Requirements:
PC computer with Windows XP 7, 8 or later
or Ubuntu Linux 12.04 or later
or Macintosh OS-X 10.6 or later
USB Micro-B Cable

