

Welcome to Teensy® 4.0

32 Bit Arduino-Compatible Microcontroller

To begin using Teensy, please visit the website & click [Getting Started](#).

www.pjrc.com/teensy

Digital Pins

digitalRead
digitalWrite
pinMode

Analog Pins

analogRead

PWM Pins

analogWrite

Digital Audio

Audio Library

Serial Ports

Serial1 - Serial7

I²C Port

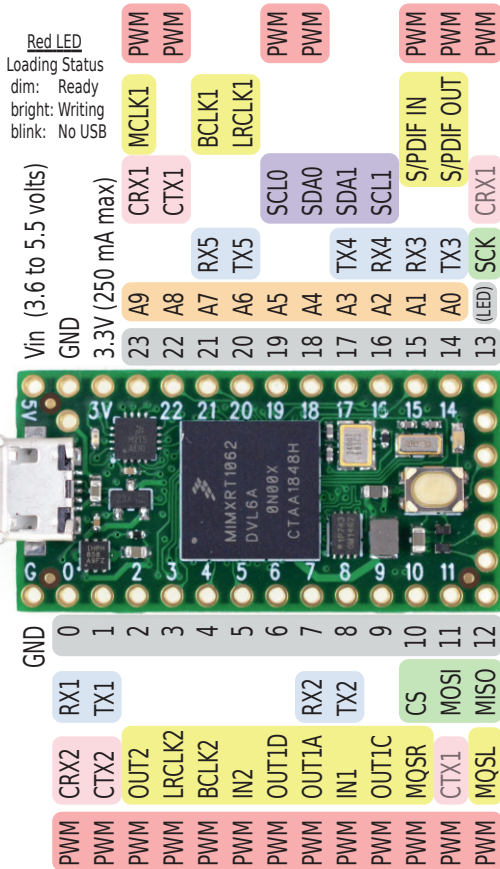
Wire Library

SPI Port

SPI Library

CAN Bus

FlexCAN_t4
Library



On/Off
Program
GND
3.3V
VBat

All digital pins have
interrupt capability.